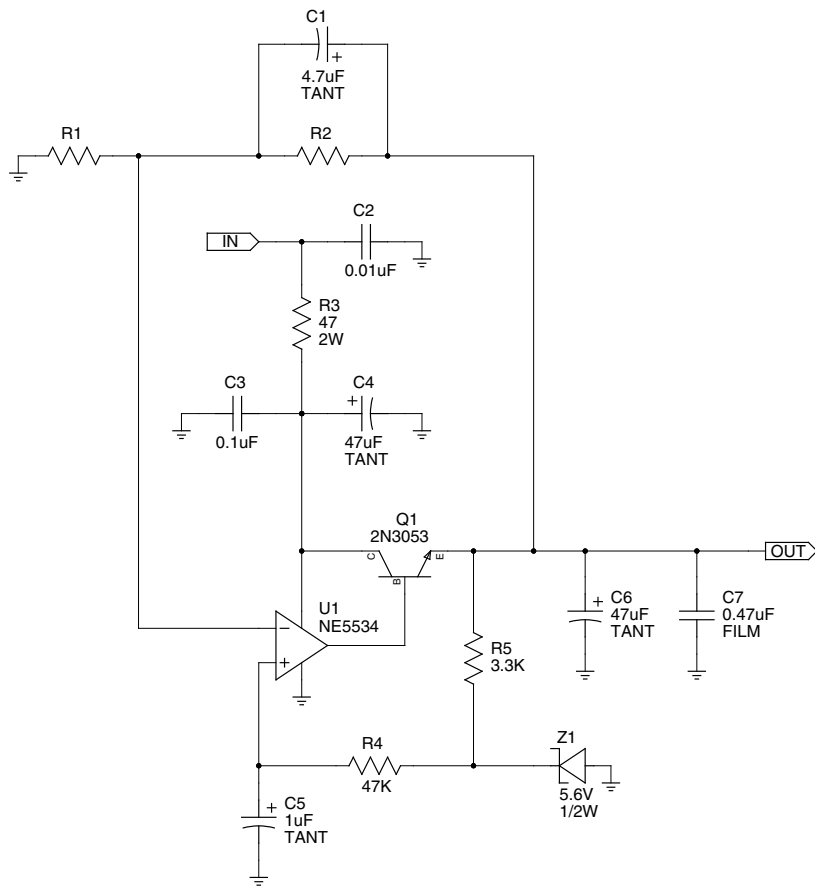
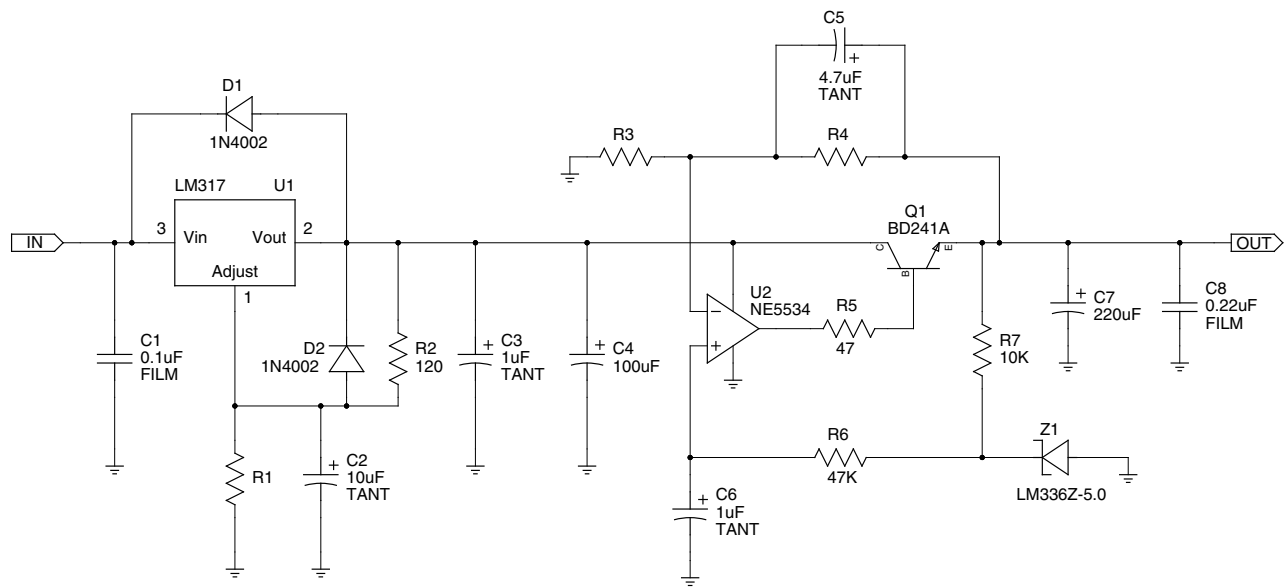


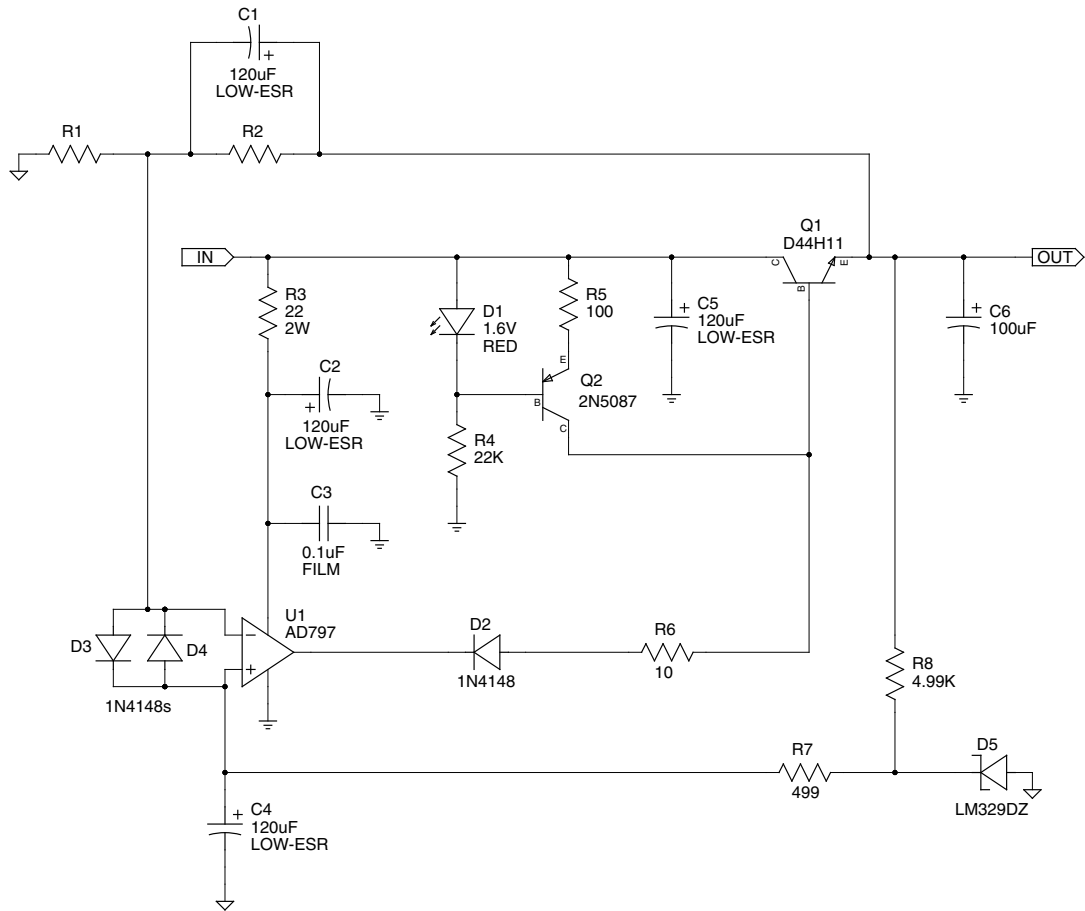
SULZER REGULATOR, TAA 2/1980



SULZER-BORBELY REGULATOR, TAA 1/1987



JUNG SUPER REGULATOR, TAA 1/1995



JUNG SUPER REGULATOR 2, TAA 4/2000

