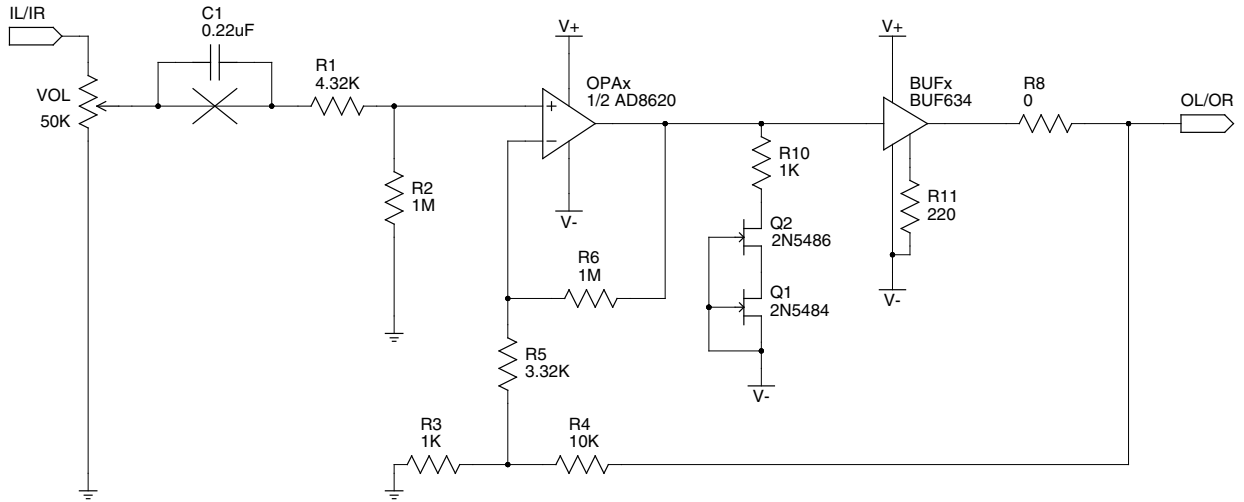
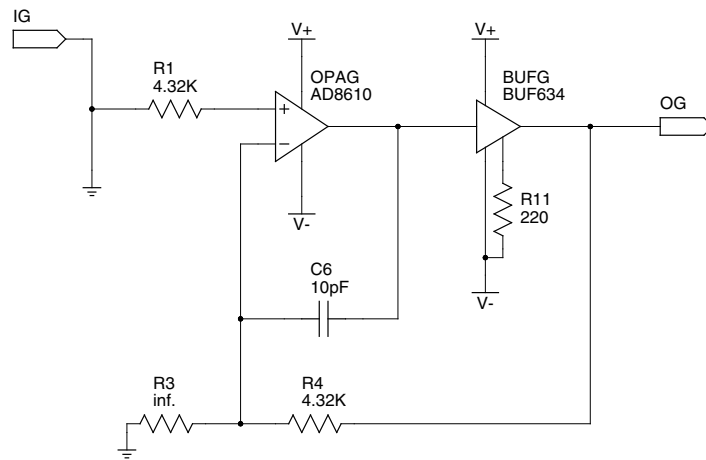


LEFT AND RIGHT CHANNELS

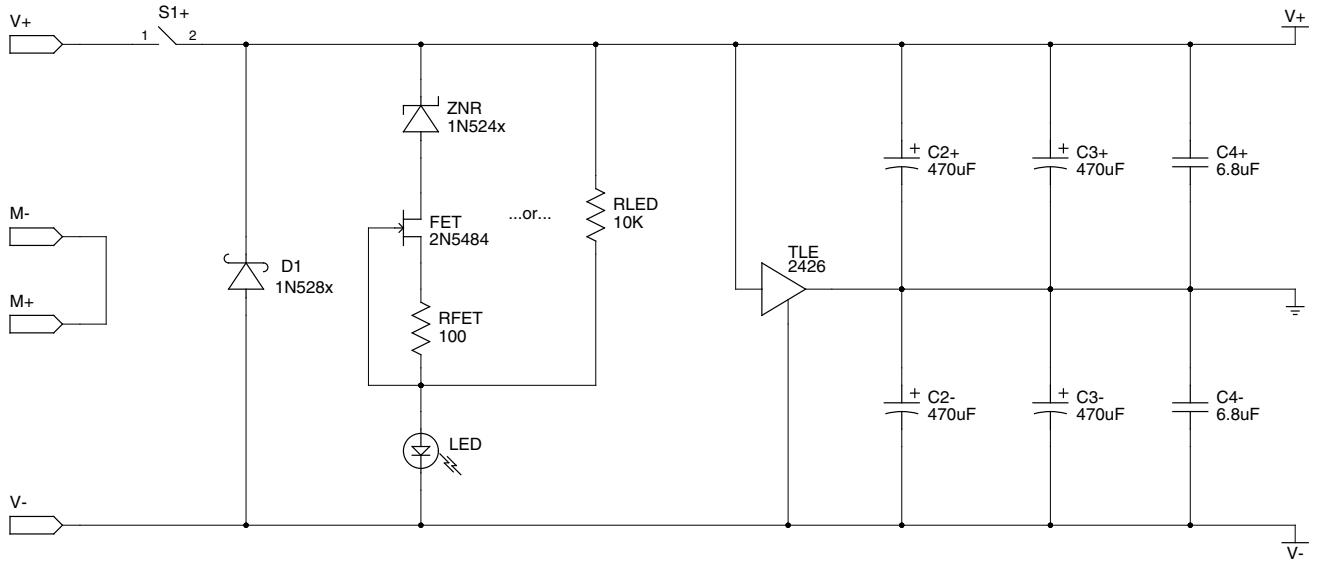


GROUND CHANNEL



TITLE	PIMETA Amp Channels	http://tangentsoft.net/audio/pimeta/
FILE:	\$Source: /usr/local/cvsroot/docs/audio/pimeta/pimeta-amp.gsch,v \$	
DATE	\$Date: 2003/10/22 07:47:32 \$	REVISION: \$Revision: 1.2 \$ for PCB v1.0
PAGE	1	OF 1
		DRAWN BY: \$Author: tangent \$

POWER SUPPLY



TITLE PIMETA Power Supply		http://tangentsoft.net/audio/pimeta/	
FILE: \$Source: /usr/local/cvsroot/docs/audio/pimeta/pimeta-power.gsch.v \$			
DATE \$Date: 2003/10/22 07:47:32 \$	REVISION: \$Revision: 1.2 \$ for PCB v1.0		
PAGE 1	OF 1	DRAWN BY: \$Author: tangent \$	